

POWER MONITORING & PROTECTION

ACI MINI CURRENT-OPERATED SWITCHES A/MCS, A/MSCS, A/MCS-A, A/MSCS-A



DESCRIPTION

The **ACI Mini Current Switch** line has a normally-open, solidstate contact that is non-polarity sensitive. They can be used to switch both AC and DC circuits up to 36 volts. The adjustable switches also include two status LED indicators that will indicate three states: tripped on, current present but below trip point, and current off or below the low end of the adjustable trip point range.

The **A/MCS** and **A/MSCS** current switches should be used in applications in which a go / no-go current status switch is required. A current status switch can be used to monitor fan and pump status, motors, compressors, and any other electrical equipment for on or off status. The **A/MCS-A** and **A/MSCS-A** adjustable current switches should be used in applications such as monitoring over and under loads, changes in the normal operating current or equipment status.

FEATURES

- *Go / no-go status switch*
- *Rated up to 150A*
- *5-year warranty*
- *UL94V-0 enclosure rating*
- *LED indication (adjustable models)*
- *Small size*



A/MCS



A/MSCS



POWER MONITORING & PROTECTION

15

SPECIFICATIONS

Frequency	50/60 Hz	Operating Temperature	-22° to 140°F (-30° to 60°C)
Outputs		Operating Humidity	0 to 95% RH, (non condensing)
A/MCS, A/MSCS	0.5 A continuous 36 VAC/VDC	Enclosure Rating	NEMA 1
A/MCS-A, A/MSCS-A	0.5 A continuous 36 VAC/VDC	Mounting	foot
Insulation Class	600 VAC	Dimensions	
Isolation Rating	2,200 VAC	A/MCS, A/MCS-A	2.50" x 1.99 x 0.95" (6.35 x 4.97 x 2.41 cm)
LED Indication		A/MSCS, A/MSCS-A	2.65" x 2.35" x 0.95" (6.73 x 5.08 x 2.43 cm)
	Red = Above trip point	Window Size	
	Blue = Below trip point	A/MCS, A/MCS-A	0.55" (1.39 cm) dia., up to 1 AWG cables
Trip Point		A/MSCS, A/MSCS-A	0.53" (1.34 cm) dia., up to 1 AWG cables
A/MCS	Fixed <0.20A	Weight	0.21 lb (0.1 Kg)
A/MCS-A	0.32 - 150A	Approvals	UL File #E309723, CE, RoHs
A/MSCS	Fixed <0.55A	Warranty	5 years
A/MSCS-A	0.70 - 150A		
Range			
A/MCS	0.20 - 150A		
A/MCS-A	0.32 - 150A		
A/MSCS	0.55 - 150A		
A/MSCS-A	0.70 - 150A		



POWER MONITORING & PROTECTION

ACI MINI CURRENT-OPERATED SWITCHES

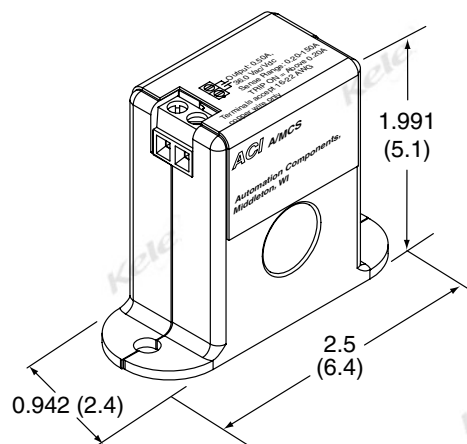
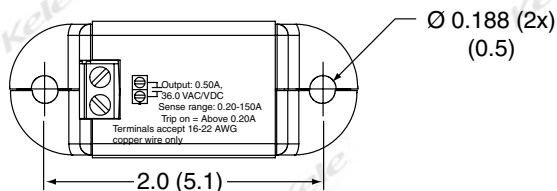
A/MCS, A/MSCS, A/MCS-A, A/MSCS-A

DIMENSIONS

in
(cm)

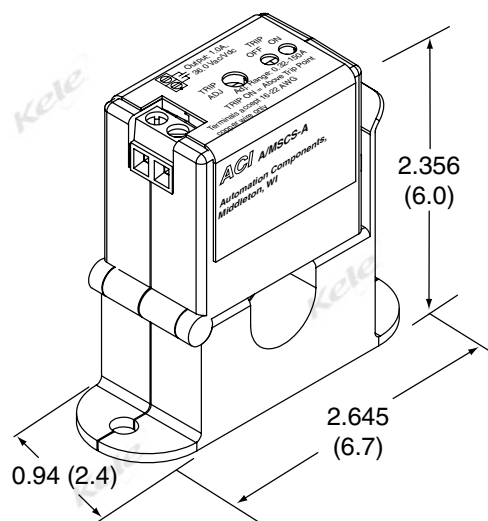
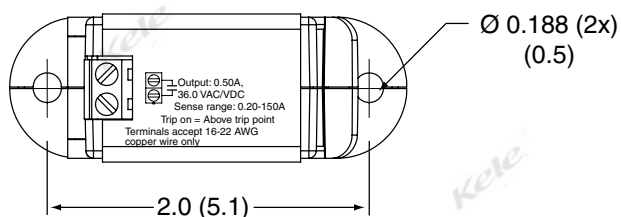
Dimensions

Solid Core



**A/MCS
A/MSCS**

Split Core



**A/MCS-A
A/MSCS-A**

ORDERING INFORMATION

MODEL	DESCRIPTION
A/MCS	Solid-core, fixed current switch, N.O., 0-150A <0.20A
A/MCS-A	Solid-core, adjustable current switch, N.O., 0-150A 0.32 – 150A
A/MSCS	Split-core, fixed current switch, N.O., 0-150A <0.55A
A/MSCS-A	Split-core, adjustable current switch, N.O., 0-150A 0.70 – 150A

POWER MONITORING & PROTECTION

15